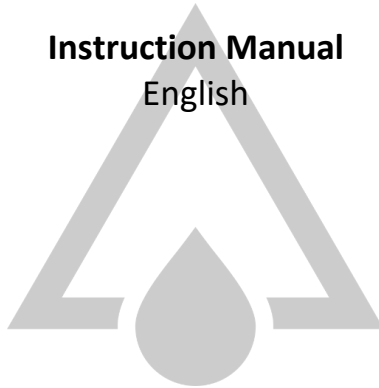




Feuerwasser Cup

Instruction Manual
English



TWO ELEMENTS FOR YOUR RELAXATION
feuerwasserfaesser.com

Thank you for choosing our sustainable outdoor bath cup with stainless steel tank!

We wish you pleasant relaxation!

Contents of the instruction manual

1. GENERAL INFORMATION	2
2. WARNINGS & SAFETY INSTRUCTIONS	3
A) GENERAL INFORMATION	3
B) RISK OF BURNS	4
C) BATHING WITH CHILDREN	5
3. SPECIFICATIONS & PRODUCT DESCRIPTION	6
A) SPECIFICATIONS	6
B) PRODUCT DESCRIPTION	7
4. ASSEMBLY	9
A) PREPARATIONS	9
B) ASSEMBLY	9
5. INSTRUCTION MANUAL	10
A) BEFORE BATHING	10
B) HEATING UP THE OVEN	11
C) BATHING	11
D) AFTER BATHING	12
6. MAINTENANCE	12
A) MAINTENANCE OF THE INNER TUBE	12
B) MAINTENANCE OF THE EXTERNAL WOOD STOVE	12
C) MAINTENANCE OF THE CONNECTING HOSES	13
7. NOTES, WARRANTY & LIABILITY	13
A) NOTES	13
B) WARRANTY	14
C) LIABILITY	14

1. General Information

This instruction manual informs you, among other things, about the safety instructions, functionality and maintenance of your Feuerwasser cup. Please read it carefully and keep it.

If you have any questions, please contact us directly:

Feuerwasser

Steigäcker 24

6404 Oberhofen im Inntal

Tel.: +43 677 63435275

E-Mail: info@feuerwasserfaesser.com

Feuerwasser reserves the right to change construction, design, functionality or additional equipment without prior notice in order to increase the technical level or quality of the products.

Wood is a natural product, therefore color deviations and changes are normal and no reason for complaint.

Feuerwasser Cup

Delivery date: _____

The Cup has been set up and the external wood stove connected

by _____ on the _____.

Scope of delivery for standard equipment

- Feuerwasser cup
 - Double seat
 - Gardena click valve
 - Faucet
 - Ball valve
- External wood stove
 - Oven grate
 - Exhaust pipe
 - Two rubber hoses
 - Four hose clamps
- Access stairs with Feuerwasser rotating fixation

Optional equipment

- Tarpaulin
- Neck rests
- Candle holder
- Drink holder
- You will find further additional equipment on our homepage:
feuerwasserfaessler.com

Intended use

Feuerwasser products may only be used as intended! This also includes compliance with the assembly, operation and maintenance instructions required by Feuerwasser. In the event of improper use or unauthorized modifications to Feuerwasser products, the manufacturer is not liable for the resulting damage. The risk is borne solely by the user.

Please read the entire instruction manual before using the product, pay particular attention to the warnings and safety instructions!

2. Warnings & Safety Instructions

Please read and comply with all warnings and safety instructions and inform other users.

A) General Information

Attention, especially on the wet surfaces there is a **risk of slipping and falling**. Be careful when getting into or out of the Feuerwasser cup. Hold on tightly to the edge of the cup.

The **consumption of drugs or alcohol abuse** before or during bathing in the Feuerwasser cup is prohibited, as it can lead to difficulties of perception and coordination and, in extreme cases, to loss of consciousness and drowning.

Persons taking medication should consult a doctor before using the Feuerwasser spa, as bathing in warm water can lead to an increase in unwanted side effects. Some medications can cause dizziness, altered heart rate, blood pressure or circulation problems and, in extreme cases, loss of consciousness and drowning.

Pregnant women and persons with chronic diseases should consult their doctor before use. Persons who are prone to dizziness or have a cardiovascular disease should use the Feuerwasser cup only with special caution and in company.

Persons with contagious diseases should not use the Feuerwasser cup.



Bathing in the Feuerwasser cup is not recommended for **elderly people** who are sensitive to high temperatures.

Babies and toddlers are not allowed to bathe in the Feuerwasser spas.

In **case of thunderstorms**, bathing is not permitted.

Do not use the Feuerwasser cup if you have open **wounds, eye problems or burns**.

Do not use the Feuerwasser cup immediately after physically demanding activities.

Do not take **animals** into the Feuerwasser cup.

Only use original Feuerwasser parts, spare parts and accessories! Unauthorized changes to the product are not permitted!

Carry out the assembly according to the assembly instructions!

Use the Feuerwasser cup only as described in the instruction manual!

Caution, the users can drown!

Make sure that you are fully conscious when bathing, have an intact health and unaffected by drugs, medication, etc.

B) Risk Of Burns

When setting up the cup, make sure that **there is sufficient distance** to combustible components and materials in the environment!

Children, persons with disabilities or other impaired persons (alcohol, drugs, etc.) are not permitted to heat the wood stove.

Do not place **combustible objects** near the wood stove, on or around the exhaust pipe!

Caution, during heating all surfaces of the wood stove, especially the door, can **become very hot!** Make people, children and animals aware of this and make sure that no one burns themselves on them. Use a protective glove or an auxiliary tool.

Children and adolescents under the age of 16 are not allowed to operate the stove without the supervision of legal guardians!

Make sure that you do not have any **easily flammable objects** on your body or near the stove door when lighting or adding wood! Fire hazard!

Making alterations to the wood stove is not allowed. Please comply with the instruction manual.

Caution, the users can burn themselves! There is a risk of fire if handled improperly!

C) Bathing With Children

Caution, **children may drown!** Never let children bathe unattended in the Feuerwasser cup. For children, use **swimming aids such as arm floats, floating tires, seats, etc.**

Caution, children are particularly sensitive to **hot water**. Therefore, make sure that the water temperature is not too high! Check the water temperature with a water thermometer! It should be below 37 °C!

Children can slip on wet surfaces **and get injured!** Therefore, never let children get in or out of the Feuerwasser cup unattended!

The Feuerwasser spa is not intended for climbing, jumping, sliding, etc.!

Let children use the Feuerwasser spa only under **constant supervision**.

Caution, children can **get burned!**

Caution, children must never use the spa unsupervised, there is a risk of injury, drowning and burns!

3. Specifications & Product Description

A) Specifications

Dimensions Feuerwasser Cup

External diameter	180 cm
Height	90 cm
Empty weight	120 kg
Water capacity	750 litres
Heating time	2 to 2.5 hours
Number of people	2

Dimensions external wood stove

Height	64 cm
Width	40 cm
Depth	70 cm
Empty weight	50 kg

Dimensions Feuerwasser access stairs

Height	130 cm
Width	50 cm

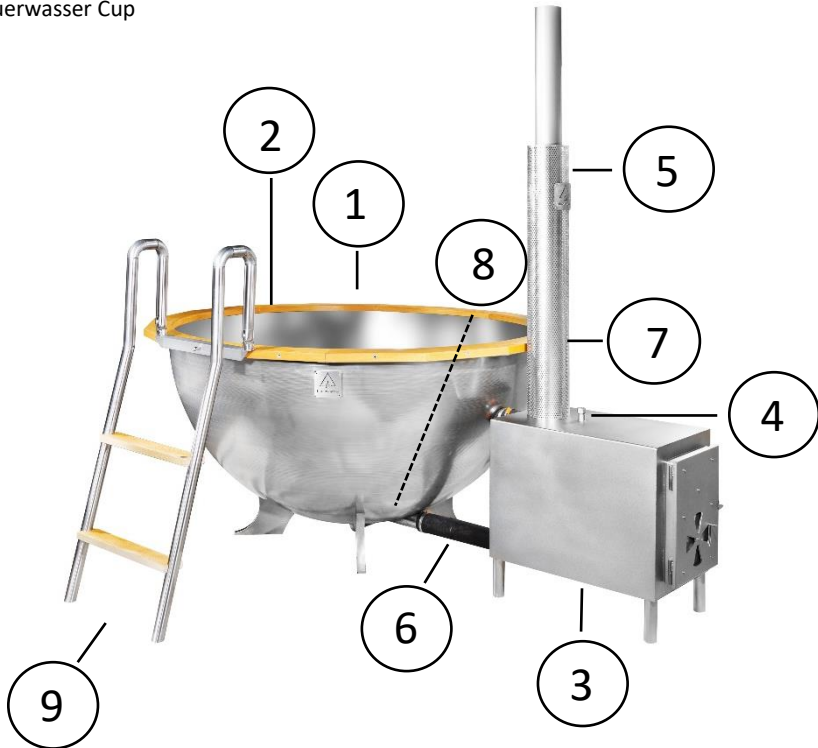
2 Stair steps

Used material

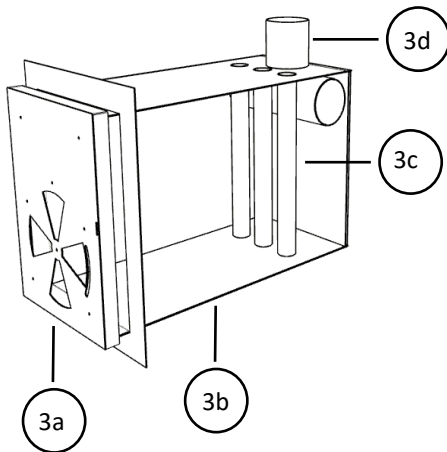
Tank	Stainless steel V4A
Wood cladding	Pine
Double benches	Pine with stainless steel substructure
Substructure	Aluminium U-Profiles
Tension straps (2 pieces)	Stainless steel, adjustable
External wood stove	Stainless steel V4A
Exhaust pipe (1,5 m)	Stainless steel with aluminium heat protection
Connecting hose (2 pieces)	Rubber
Access ladder	Stainless steel and pine

B) Product Description

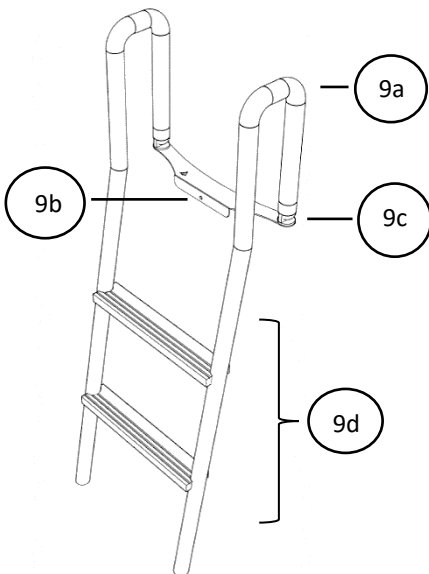
Feuerwasser Cup



Number	Description
1	Feuerwasser Cup
2	Cup edge
3	External wood stove
4	Vent valve
5	Exhaust pipe with heat protection
6	Connections between stove and cup
7	Click valve for garden hose
8	Drain with ball valve
9	Feuerwasser access ladder

External wood stove (3)


Number	Description
3a	Door with draft regulation
3b	Heating chamber
3c	Heat exchanger tubes
3d	Exhaust pipe opening

Access ladder (9)


Number	Description
9a	Ladder handrail
9b	Passage for the Feuerwasser screw
9c	Movable joints
9d	Ladder rungs

4. Assembly

A) Preparations

1. Select a horizontal location. It must carry at least 1.2 tons.
2. Prepare a solid ground for the cup and the stove, such as stone or washed concrete slabs, so that the filled cup cannot sink in. We recommend a substructure with a size of at least 3.10 m x 2.6 m.
3. It is recommended to wear clean cotton gloves when setting up the Feuerwasser cup. This way you avoid fingerprints on the stainless steel, which are difficult to remove later with soap and water.
4. When setting up the cup, make sure that there is sufficient distance to combustible components and materials in the vicinity! There should be at least one meter of clear space around the wood stove. The exhaust pipe must remain free on the top so that any flying sparks can escape safely.
5. When setting up the cup, the national and European standards, the local laws and the building and fire regulations must be observed.
6. Prepare a garden hose for filling in the water, you can connect it to the click valve (7).
7. After bathing there are two ways to empty the water:
 - You can prepare a drainage or a canal below the drain valve (8) into which the water can seep or drain away. With a 90 ° pipe bend and, if necessary, other installations, you can direct the water directly to the desired location.
 - You can use a hose coupling to connect a 1 inch garden hose to the ball valve and use it for watering the garden or leading the water directly into the next canal.Please prepare the necessary utensils depending on the desired drainage.

B) Assembly

Feuerwasser cup and external wood stove

1. Place the Feuerwasser cup (1) on the prepared place. Make sure that the four-part aluminium substructure is placed horizontally on the slabs. Keep in mind that the stove connections (6) point in the desired direction.
2. Place the external wood stove (3) in the desired position next to the cup. Make sure that the stove is at the same level as the cup, so that the connections are also at the same level.
3. Now push the oven about 15 cm away from the cup.
4. Slide two hose clamps onto the ends of each rubber hose, which will be the connection between the cup and the stove. Plug both rubber hoses onto the connection pieces of the stove. Be sure to push the rubber hoses as far as possible on the connection pieces of the stove!
5. Fix the rubber hoses with the hose clamps on the connection pieces of the stove by closing the hose clamps with a wrench.

6. Push the external wood stove close to the cup again, to the desired position.
7. Plug the open rubber hose ends on the connecting pieces of the cup. Make sure the rubber hoses are as tight to the cup as possible. If necessary, move the oven and connecting hoses closer to the cup.
8. Close the hose clamps around the rubber hoses enclosing the connecting pieces of the cup with the help of a wrench.
9. Put the exhaust pipe (5) onto the exhaust pipe opening of the stove.

Access Ladder

1. Pick up the ladder.
2. Open the ladder joints (9c) with an Allen key.
3. Place the ladder in the desired position in relation to the cup. There are 16 options. You can recognize this by the screw-in sleeves, which are mounted in the middle of each edge of the wooden frame. We recommend that you select a position in which you can use the bench inside the cup as a supplementary climbing aid.
4. Take the Feuerwasser screw and use it to fix the ladder to the desired position on the product by screwing the screw through the bushing (9b) to the wooden edge of the product.
5. Check whether the two feet of the ladder are stable on the ground.
6. Slowly press the ladder once with your body weight in a controlled manner towards the floor by stepping onto the lowest rung of the ladder (9d).
7. Fix the movable joints (9c) of the ladder with the Allen key.

5. Instruction manual

A) Before Bathing

1. Check the safe position of the Feuerwasser cup.
2. Make sure that the exhaust pipe (5) is securely and firmly fixed on the external wood stove (3), if necessary, press it firmly vertically downwards into the intended opening.
3. Check all seals and brackets, especially the hose clamps of the rubber hoses between the stove and the cup (6).
4. Make sure that the heating chamber (3b) is cleared and dry before heating.
5. Make sure the inner cup is clean or clean it if necessary.
6. Connect a garden hose to the Gardena click valve (7).
7. Fill the Feuerwasser cup with clean water.
8. Wait until the cup is filled at least as far as the upper connection between stove and cup, then the double wall of the stove is flooded with water. Only now the stove is ready for firing.
9. Open the vent valve (4) by turning it and wait until no more air flows out of the valve.

B) Heating up the oven

1. Put thinly chopped wood and, if necessary, some paper in the combustion chamber.
2. **Caution! Before lighting the fire, the water level and the fixed positioning of the exhaust pipe must be checked. The stove must never be heated without being completely surrounded by water.**
3. Light the fire with the help of a barbecue lighter. Caution do not use any liquid ignition aids!
4. Heat the Feuerwasser stove only with natural, dry wood (with a maximum residual moisture content of 20 %). Coal or whole briquettes are not permitted. Only then smoke can be reduced, and a smooth operation guaranteed.
5. Build a strong fire, add small logs periodically.
6. You can regulate the air supply by turning the oven door (3a).

IMPORTANT

- a) Only use small logs (max. 5 cm thick) or small pieces of a briquette!
 - b) Light the fire in the back of the heating chamber (3b), so that the water in the pipes (3c) can be heated well by the flames!
 - c) Ensure that the fire has **enough air** by turning the draft regulation at the door (3a) and thus increasing the air supply!
 - d) After each heating and bathing, remove the **old, cold ash** from the stove and make sure the pipes are clear.
 - e) Please note: Especially the **first few times the stove will have a weaker heating output**. From about the 3rd/4th time firing, the stove will be able to provide its desired performance!
7. Cover the cup with tarpaulin, so you can reduce the heating time.
 8. Mix the differently warm water layers about every 15 minutes.
 9. Fire the stove until the water has almost reached your individually desired temperature. Keep in mind that the embers in the stove keep heating. Depending on the used wood and heating technique, heating will take between 2 and 2.5 hours.

C) Bathing

1. Before each bath, make sure that the water temperature is comfortable for you.
2. We recommend taking a shower before bathing in the Feuerwasser cup.
3. When entering and exiting the Feuerwasser cup by using the entry stairs (8), be careful of slippery surfaces, hold on tightly to the edge of the cup (2) and the ladder handrail (8a) so that you do not injure yourself.
4. Read the warnings and safety instructions!
5. If the water has become too warm, you can reduce the temperature with fresh cold water. If the water is not yet warm enough, keep firing the stove.
6. Now enjoy luxurious relaxation in the Feuerwasser cup.

D) After Bathing

1. Wait until there are no more embers in the stove before draining the water so that the stove does not suffer any damage (e.g. deformation due to heat).
2. Open the ball valve to empty the cup.
3. Remove the accessories (tables, backrests, drink holders, ...).
4. Remove the ash from the stove with the help of an ash shovel.
5. Clean the cup, also use a disinfectant if necessary.
6. Clean the double wall of the stove by spraying water with the water hose from the inside of the cup into the upper stove connection opening, the water cleans the entire gap and flows out again at the lower stove connection opening.
7. Allow the cup and benches to dry thoroughly to prevent bacteria and mould from growing in the wood.
8. If you have a tarpaulin, place it on the clean and dry cup and fix it with the rubber bands.

IMPORTANT

Please always keep the ball valve open in winter when the cup is not in use! This is important because otherwise water will be trapped in the hollow ball of the valve, the cold temperatures will cause the water to expand, and this can break the ball valve!

6. Maintenance

Through proper operation, appropriate use and good maintenance, you can prolong the life of your Feuerwasser cup. This saves valuable resources and protects the environment.

Protect your Feuerwasser spa from external influences with the matching Feuerwasser tarpaulin. Make sure that the cup is clean and completely dry before covering!

A) Maintenance Of the Inner Tube

- For cleaning the stainless-steel tank, we recommend a conventional stainless-steel cleanser or simply a water-soap-mixture.
- Cleaning should be done with a soft cloth or sponge.
- Never use scratching sponges, steel wool, abrasives or aggressive cleansing agents. Do not use cleansing agents containing hydrochloric acid or chlorine, these damage the stainless steel.
- Afterwards rinse the inner cup with clear water.
- For further surface treatment, care oils for stainless steel can be used.

B) Maintenance Of the External Wood Stove

- The stove should be cleared out after each use. It is easy to remove the ash with the help of an ash shovel.
- Check the screws and brackets once a year and tighten them if necessary.

- Remove the soot from the inside walls of the stove, if necessary, to ensure an efficient heating performance.

C) Maintenance Of the Connecting Hoses

- The rubber hoses between the outdoor oven and the bathtub should be dismantled, washed and cleaned after approximately every third use.

7. Notes, Warranty & Liability

A) Notes

Unpacking and examining

After unpacking and setting up, check that the Feuerwasser cup has no transport damage and that all accessories have been supplied. If this is not the case, please contact us directly: info@feuerwasserfaesser.com.

Before first use

Clean the cup with clear water before first use to remove any possible production- or delivery-related traces.

Telephone support

We are happy to assist you by phone. You can reach us at +43 677 634 352 75.

Heating performance of the stove

Especially the first few times the stove will have a weaker heating output. From the 3rd/4th use the stove will heat more efficiently. Please fire the stove as described in this instruction manual and be patient as heating must be practiced.

Water

Use fresh, clean water for each bath. Shower before each use to keep the water as clean as possible.

Saving water and resources

After bathing, use the water for your garden. You can use the ash as a mineral fertilizer for your plant beds, hedges and flowers.

Frost resistance

Since the Feuerwasser cup is outdoors, it must always be completely emptied of water in times of non-use so that no frost damage occurs. We also recommend that you remove the

garden hose from the ball valve in winter. Please always keep the ball valve open in winter when the cup is not in use! This is important because otherwise water will be trapped in the hollow ball of the valve, the cold temperatures will cause the water to expand, and the ball valve may break!

Avoidance of flying or foreign rust

Our stainless steel is very durable and of high quality. In rare cases, it may happen that flying or foreign rust attaches to the stainless steel. These are rust particles from foreign sources (e.g. from a coin or from metalwork nearby), which can settle on the surface of the stainless steel. If these stains on the surface are not removed, damage to the stainless steel can be caused. If stains are visible, they can usually be simply wiped away or a rust remover can be used. You should also make sure to remove the foreign sources of rust. It is also possible to use a stainless steel care oil, which forms a protective film on the stainless steel.

Disposal

The Feuerwasser cup was made of recyclable materials. If you want to dispose of the Feuerwasser cup yourself, simply disassemble it into the original components. Wood and metal remain. You can use the wood for heating. The metal components can be brought to the metal wholesaler. Since it is valuable and recyclable, you will be compensated for the value.

B) Warranty

There is a two-year legal warranty from the date of purchase for Feuerwasser products.

C) Liability

Feuerwasser is not liable for ancillary, consequential and special costs, indirect costs, fines or compensation payments. Under no circumstances can Feuerwasser be held responsible for injury to persons or damage to property, however it may have occurred.

We cannot accept any liability for printing errors and changes.